

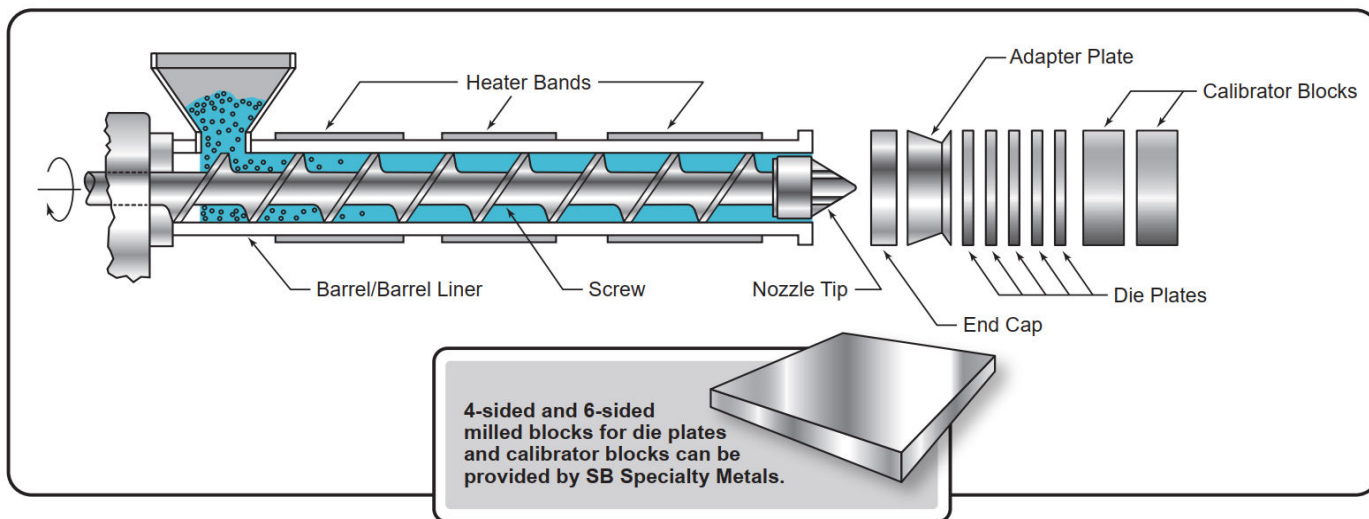


# SB Specialty Metals LLC

Your **First Choice** for Specialty Metals

## Specialty Metals for Plastic Extrusion Tooling

SB Specialty Metals provides tool steel for plastic extrusion tooling. We can be your one stop shop for tool steel and specialty metals.



### Grades and applications

Application	Tool steel grades	Upgrade material.
Screws	H13, D2, SB Wear	PSB27, PM9, PM420*
Nozzle Tips and End Caps	H13, D2, SB Wear	PSB27, PM9, PM420*
Barrels and Barrel Liners	D2	PMA11
End Caps and Heater Bands	H13, D2, SB Wear, 420ESR*	PSB27, PM9, PM420*
Die Plates and Calibrator Blocks	D2, SB Wear, 420ESR*	PSB27, PMA11, PM420*

We can provide 4 or 6-sided milled blocks in any material.

\*Stainless steel

