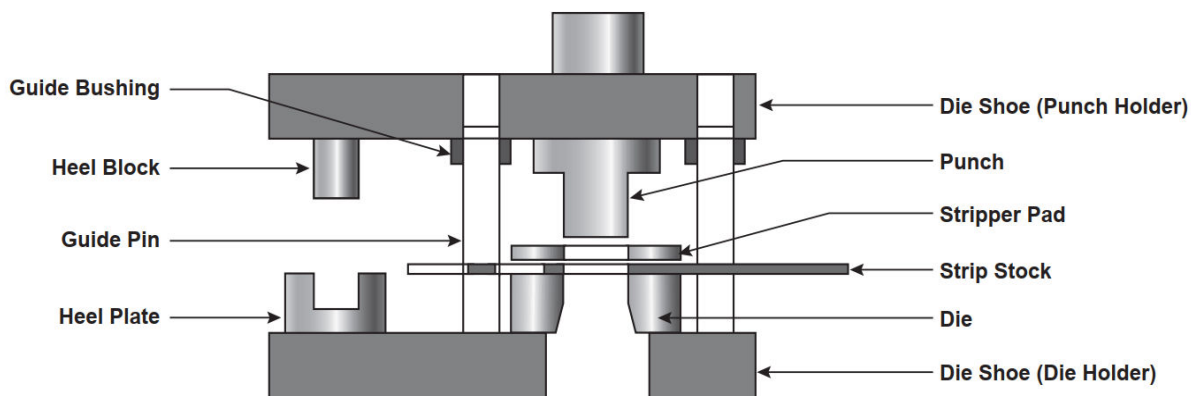


Cold Work Tool Steel flats for stamping tooling.



Grades we stock for stamping die material

Application	Conventional grades	Particle metallurgy grades
Die shoes (holders)	4140	
Heel blocks and heel plates	D2	
Punches and dies	O1, S7, A2, D2, PSB22, SB Wear	PMM4, PSB27, PMA11
Stripper, gripper and pressure pads	4140, D2, S7, PSB22	PMM4, PSB27, PMA11
Guide pins and guide bushings	4140, 420ESR	

We can provide 4 or 6 sided milled blocks in any material.

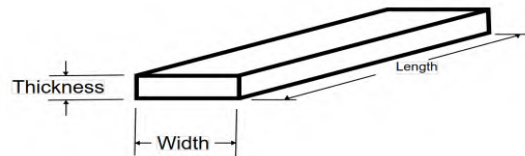
See page 2 for size information and technical data sheets.

About our inventory

- We keep a wide array of bar stock in popular sizes of A2, D2, S7 and 4140.
- The bar stock sizes are listed on back.
- Cutting from bar stock saves cost and time which allows you to get the best possible price and delivery.
- If we don't have the size in bar stock we can cut from plate.
- PMM4, PSB27 and PMA11 are stocked in plate and will be cut to order.
- For larger blocks that are over 1.25" thick we can duplex mill them to provide square and flat.
- Bringing in 4-sided or 6-sided milled blocks saves your labor for the intricate work.

Bar Stock Sizes

		THICKNESS																	
mm	mm	12.7	19.0	25.4	31.7	38.1	44.4	50.8	57.1	63.5	76.2	88.9	101.6						
	Inch	0.50	0.75	1.00	1.25	1.50	1.75	2.00	2.25	2.50	3.00	3.50	4.00						
	12.7	0.50	ADS4																
	19.0	0.75	4	ADS4															
	25.4	1.00	ADS4	ADS4	ADS4														
	31.7	1.25	S4	AD4	ADS4	ADS4													
	38.1	1.50	ADS4	ADS4	ADS4	ADS4	AD												
	44.4	1.75	S4	ADS4	AD4	4	D	AD4											
	50.8	2.00	AD4	ADS4	ADS4	ADS4	AD	ADS4	ADS4										
	63.5	2.50	ADS4	ADS4	ADS4	ADS4	ADS	ADS4	ADS4	4	ADS4								
	76.2	3.00	ADS4	ADS4	ADS4	ADS4	ADS	ADS4	ADS4	ADS4	ADS4	ADS4							
	88.9	3.50	ADS4	AD4	ADS4	ADS4	ADS	DS4	ADS4	DS4	ADS4	ADS4	ADS4						
WIDTH	101.6	4.00	ADS4	AD4	ADS4	ADS4	ADS	ADS4	ADS4	DS4	ADS4	ADS4	ADS4	ADS4	AD4				
	114.3	4.50	AD		AD	ADS	ADS	S	ADS	D	ADS	AD	ADS	AD					
	127.0	5.00	ADS4	ADS4	AD4	ADS4	ADS	ADS4	ADS4	DS4	ADS4	ADS4	ADS4	ADS4	AD4				
	139.7	5.50				S	AD		AD										
	152.4	6.00	ADS4	AD4	ADS4	ADS4	ADS	AD4	ADS4	DS4	ADS4	ADS4	ADS4	ADS4	AD4				
	177.8	7.00					AD												
	203.2	8.00	ADS4	AS4	ADS4	AS4	ADS	A4	ADS4	D	ADS	ADS	ADS	ADS	AD				
	228.6	9.00																	
	254.0	10.00	AD	AS	DS		ADS		AD	D	AD	DS	ADS	AD					
	279.4	11.00																	
	304.8	12.00	ADS		A		AD		AD	D	AD	AD	AD	AD	AD				



1. Use the key below to find your grade.
2. Then use the chart above to determine the bar stock sizes available for that grade in mm or inches.

Key: A=A2, D=D2, S=S7, 4=4140

Round bar, plate and GFS sizes

Grade	Round bar sizes	Flat sizes available
A2	0.25" thru 20" Dia.	0.25" - 8.0" thick
D2	0.375" thru 28" Dia.	0.25" thru 10.0" thick
S7	0.25" thru 16" Dia.	0.25" thru 8.0" thick
O1	0.25" thru 10" Dia.	GFS only
4140	^{HRHT} 0.50" thru 11.0" Dia.	^{TFHT} 0.25" thru 12.0" thick
420ESR	0.75" thru 14.50" Dia.	0.50" thru 12.0" thick
PMM4	0.375" thru 12.0" Dia.	0.10" thru 12" thick
PSB27	0.875" thru 12.0" Dia.	0.103" thru 6.0" thick
PMA11	0.307" thru 16.0" Dia.	0.056" thru 12" thick
PSB22	1.0" thru 9.0" Dia.	0.5" thru 3.0" thick
SB Wear	0.75" thru 10.15" Dia.	0.75" thru 5.0" thick
A2, D2, S7 O1	Drill rod starting at 0.0625" Dia.	Ground flat stock sizes starting at 0.0156" thick

 Click the red box for technical data sheets.